

Solid State Relays

Industrial, 1-Phase ZS (IO) w. LED and Built-in Varistor

Types RM 23, RM 40, RM 48, RM 60



- Zero switching (RM1A) or instant-on switching (RM1B) AC Solid State Relay
- Direct copper bonding (DCB) technology
- LED indication
- Built-in varistor 230, 400, 480 V
- Clip-on IP 20 protection cover
- Self-lifting terminals
- Housing free of moulding mass
- 2 input ranges: 4.5-32 VDC and 24-265 VAC/24-190 VDC
- Operational ratings up to 100 AACrms and 600 VAC
- Non-repetitive voltage: Up to 1400 V_p
- Opto-insulation: > 4000 VACrms

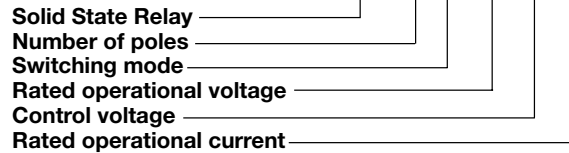
Product Description

The industrial, 1-phase relay with antiparallel thyristor output is the most widely used industrial SSR due to its multiple application possibilities. The relay can be used for resistive, inductive and capacitive loads. The zero switching relay switches ON when the sinusoidal curve crosses zero and switches OFF when the current crosses zero. The instant-on relay

with DC control input can be used for phase control. The built-in varistor secures transient protection for the heavy industrial applications, and the LED indicates the status of the control input. The clip-on cover is securing touch protection to IP 20. Protected output terminals can take cables up to 16 mm².

Ordering Key

RM 1 A 23 D 25



Type Selection

Switching mode	Rated operational voltage	Control voltage	Rated operational current
A: Zero Switching B: Instant-on switching	23: 230 VACrms 40: 400 VACrms 48: 480 VACrms 60: 600 VACrms	A: 24 - 265 VAC D: 4.5 - 32 VDC	25: 25 AACrms 50: 50 AACrms 75: 75 AACrms 100: 100 AACrms

Selection Guide

Rated operational voltage	Non-rep. voltage	Control voltage	Rated operational current			
			25 A	50 A	75 A	100 A
230 VACrms	650 V _p	4.5 - 32 VDC	RM1A23D25	RM1A23D50	RM1A23D75	RM1A23D100
		24 to 265 VAC 24 to 190 VDC	RM1A23A25	RM1A23A50	RM1A23A75	RM1A23A100
400 VACrms	850 V _p	4.5 - 32 VDC	RM1A40D25	RM1A40D50	RM1A40D75	RM1A40D100
		24 to 265 VAC 24 to 190 VDC	RM1A40A25	RM1A40A50	RM1A40A75	RM1A40A100
480 VACrms	1200 V _p	4.5 - 32 VDC	RM1A48D25	RM1A48D50	RM1A48D75	RM1A48D100
		24 to 265 VAC 24 to 190 VDC	RM1A48A25	RM1A48A50	RM1A48A75	RM1A48A100
600 VACrms	1400 V _p	4.5 - 32 VDC	RM1A60D25	RM1A60D50	RM1A60D75	RM1A60D100
		24 to 265 VAC 24 to 190 VDC	RM1A60A25	RM1A60A50	RM1A60A75	RM1A60A100

General Specifications

	RM1.23...	RM1.40...	RM1.48...	RM1.60...
Operational voltage range	24 to 265 VACrms	42 to 440 VACrms	42 to 530 VACrms	42 to 660 VACrms
Non-rep. peak voltage	≥ 650 V _p	≥ 850 V _p	≥ 1200 V _p	≥ 1400 V _p
Zero voltage turn-on	≤ 15 V	≤ 15 V	≤ 15 V	≤ 15 V
Operational frequency range	45 to 65 Hz	45 to 65 Hz	45 to 65 Hz	45 to 65 Hz
Power factor	> 0.5 @ 230 VACrms	> 0.5 @ 400 VACrms	> 0.5 @ 480 VACrms	> 0.5 @ 600 VACrms
Approvals*	UL, CSA	UL, CSA	UL, CSA	UL, CSA
CE-marking	Yes	Yes	Yes	Yes **

* Approvals pending for RM1B

** Heatsink must be connected to ground

Input Specifications

	RM1...D..	RM1...A..
Control voltage range	4.5-32 VDC	24-265VAC, 24-190 VDC
Pick-up voltage	≤ 4.25 VDC	≤ 20 VAC/DC
Reverse voltage	≤ 32 VDC	-
Drop out voltage	≥ 2 VDC	≥ 6 VAC/DC
Input current @ max input voltage	≤ 10 mA	≤ 5 mA
Response time pick-up		
RM1A	≤ 1/2 cycle	≤ 1 cycle
RM1B	≤ 1 ms	≤ 6 ms
Response time drop-out	≤ 1/2 cycle	≤ 2 cycles

Output Specifications

	RM1....25	RM....50	RM1....75	RM1....100
Rated operational current				
AC1 @ Ta=25°C	25 Arms	50 Arms	75 Arms	100 Arms
AC3 @ Ta=25°C	5 Arms	15 Arms	20 Arms	30 Arms
Min. operational current	150 mA	150 mA	150 mA	150 mA
Rep. overload current t=1 s	< 55 AACrms	< 125 AACrms	< 150 AACrms	< 200 AACrms
Non-rep. surge current t=10 ms	250 Ap	600 Ap	1000 Ap	1500 Ap
Off-state leakage current @ rated voltage and frequency	< 3 mArms	< 3 mArms	< 3 mArms	< 3 mArms
I²t for fusing t=1-10 ms	< 310 A ² s	< 1800 A ² s	< 6600 A ² s	< 18000 A ² s
Critical di/dt	≥ 100 A/μs	≥ 100 A/μs	≥ 100 A/μs	≥ 100 A/μs
On-state voltage drop @ rated current	1.6 Vrms	1.6 Vrms	1.6 Vrms	1.6 Vrms
Critical dV/dt commutating	500 V/μs	500 V/μs	500 V/μs	500 V/μs
Critical dV/dt off-state min.	500 V/μs	500 V/μs	500 V/μs	500 V/μs



Thermal Specifications

	RM1....25	RM1....50	RM1....75	RM1....100
Operating temperature	-20° to 70°C	-20° to 70°C	-20° to 70°C	-20° to 70°C
Storage temperature	-40° to 100°C	-40° to 100°C	-40° to 100°C	-40° to 100°C
Junction temperature	≤ 125°C	≤ 125°C	≤ 125°C	≤ 125°C
R _{th} junction to case	≤ 0.80 K/W	≤ 0.50 K/W	≤ 0.20 K/W	≤ 0.20 K/W
R _{th} junction to ambient	≤ 20 K/W	≤ 20 K/W	≤ 20 K/W	≤ 15 K/W

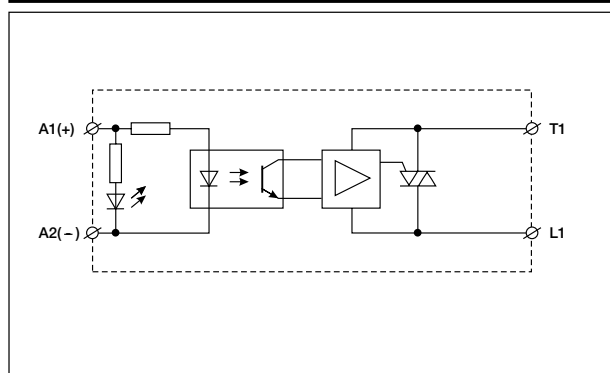
Housing Specifications

Weight 25 A, 50 A 75 A, 100 A	Approx. 60 g Approx. 100 g
Housing material	Noryl GFN 1, black
Baseplate 25 A, 50 A 75 A, 100 A	Aluminium Copper, nickel-plated
Potting compound	None

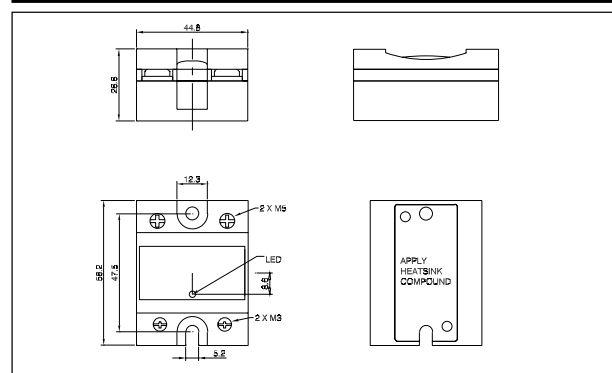
Housing Specifications (Cont.)

Relay Mounting screws Mounting torque	M5 1.5-2.0 Nm
Control terminal Mounting screws Mounting torque	M3 x 9 0.5 Nm
Power terminal Mounting screws Mounting torque	M5 x 9 2.4 Nm

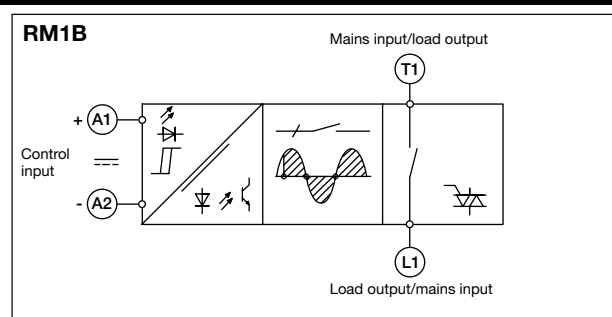
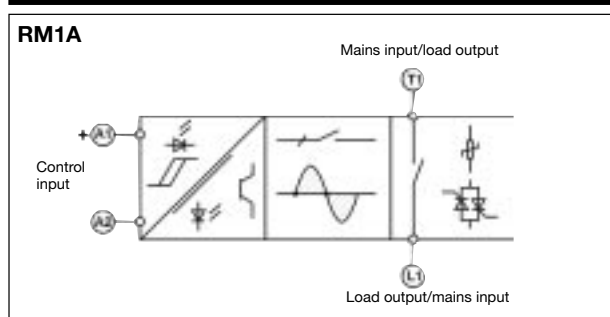
Wiring Diagram



Dimensions



Functional Diagram





Heatsink Dimensions (load current versus ambient temperature)

RM....25

Load current [A]	Thermal resistance [K/W]						Power dissipation [W]
	20	30	40	50	60	70	
25.0	2.70	2.34	1.98	1.61	1.25	0.89	28
22.5	3.10	2.69	2.28	1.86	1.45	1.04	24
20.0	3.61	3.13	2.65	2.18	1.70	1.23	21
17.5	4.26	3.70	3.14	2.59	2.03	1.47	18
15.0	5.14	4.47	3.80	3.14	2.47	1.80	15
12.5	6.38	5.56	4.73	3.91	3.09	2.27	12
10.0	8.25	7.19	6.14	5.08	4.02	2.97	9
7.5	11.4	9.94	8.49	7.04	5.59	4.14	7
5.0	17.7	15.4	13.2	11.0	8.74	6.51	4
2.5	-	-	-	-	18.2	13.6	2

Ambient temp. [°C]

RM....50

Load current [A]	Thermal resistance [K/W]						Power dissipation [W]
	20	30	40	50	60	70	
50.0	1.03	0.86	0.70	0.53	0.37	0.20	61
45.0	1.27	1.09	0.90	0.71	0.52	0.33	53
40.0	1.54	1.32	1.10	0.89	0.67	0.45	46
35.0	1.85	1.59	1.34	1.08	0.82	0.57	39
30.0	2.26	1.95	1.65	1.34	1.03	0.72	33
25.0	2.85	2.47	2.08	1.70	1.32	0.94	26
20.0	3.73	3.24	2.75	2.26	1.77	1.27	20
15.0	5.22	4.54	3.86	3.19	2.51	1.83	15
10.0	8.21	7.16	6.11	5.05	4.00	2.95	10
5.0	17.2	15.0	12.9	10.7	8.51	6.33	5

Ambient temp. [°C]

Junction to ambient thermal resistance, R_{thj-a}	< 20.0	K/W
Junction to case thermal resistance, R_{thj-c}	< 0.80	K/W
Case to heatsink thermal resistance, R_{thc-s}	< 0.20	K/W
Maximum allowable case temperature	100	deg.C
Maximum allowable junction temperature	125	deg.C

Junction to ambient thermal resistance, R_{thj-a}	< 20.0	K/W
Junction to case thermal resistance, R_{thj-c}	< 0.50	K/W
Case to heatsink thermal resistance, R_{thc-s}	< 0.20	K/W
Maximum allowable case temperature	100	deg.C
Maximum allowable junction temperature	125	deg.C

RM....75

Load current [A]	Thermal resistance [K/W]						Power dissipation [W]
	20	30	40	50	60	70	
75.0	0.91	0.78	0.65	0.52	0.39	0.26	77
67.5	1.10	0.96	0.81	0.66	0.51	0.36	68
60.0	1.34	1.17	1.00	0.83	0.66	0.49	59
52.5	1.60	1.40	1.20	1.00	0.80	0.60	50
45.0	1.93	1.68	1.44	1.20	0.96	0.72	42
37.5	2.38	2.08	1.78	1.49	1.19	0.89	34
30.0	3.06	2.68	2.30	1.91	1.53	1.15	26
22.5	4.21	3.68	3.16	2.63	2.10	1.58	19
15.0	6.51	5.70	4.88	4.07	3.26	2.44	12
7.5	13.5	11.77	10.09	8.41	6.73	5.04	6

Ambient temp. [°C]

RM....100

Load current [A]	Thermal resistance [K/W]						Power dissipation [W]
	20	30	40	50	60	70	
100.0	0.54	0.45	0.36	0.27	0.18	0.09	111
90.0	0.68	0.58	0.47	0.37	0.27	0.17	97
80.0	0.86	0.74	0.62	0.50	0.38	0.26	84
70.0	1.08	0.94	0.80	0.66	0.52	0.38	71
60.0	1.37	1.20	1.03	0.85	0.68	0.51	59
50.0	1.70	1.49	1.28	1.06	0.85	0.64	47
40.0	2.21	1.93	1.66	1.38	1.10	0.83	36
30.0	3.06	2.68	2.30	1.91	1.53	1.15	26
20.0	4.78	4.18	3.59	2.99	2.39	1.79	17
10.0	9.98	8.73	7.49	6.24	4.99	3.74	8

Ambient temp. [°C]

Junction to ambient thermal resistance, R_{thj-a}	< 20.0	K/W
Junction to case thermal resistance, R_{thj-c}	< 0.35	K/W
Case to heatsink thermal resistance, R_{thc-s}	< 0.10	K/W
Maximum allowable heatsink temperature	100	deg.C
Maximum allowable junction temperature	125	deg.C

Junction to ambient thermal resistance, R_{thj-a}	< 20.0	K/W
Junction to case thermal resistance, R_{thj-c}	< 0.30	K/W
Case to heatsink thermal resistance, R_{thc-s}	< 0.10	K/W
Maximum allowable heatsink temperature	100	deg.C
Maximum allowable junction temperature	125	deg.C



Heatsink Selection

Carlo Gavazzi Heatsink (see Accessories)	Thermal resistance...	...for power dissipation
No heatsink required	---	N/A
RHS 300	5.00 K/W	> 0 W
RHS 100	3.00 K/W	> 25 W
RHS 45A	2.70 K/W	> 60 W
RHS 45B	2.00 K/W	> 60 W
RHS 90	1.35 K/W	> 60 W
RHS 45A plus fan	1.25 K/W	> 0 W
RHS 45B plus fan	1.20 K/W	> 0 W
RHS 112	1.10 K/W	> 100 W
RHS 301	0.80 K/W	> 70 W
RHS 90 plus fan	0.45 K/W	> 0 W
RHS 112 plus fan	0.40 K/W	> 0 W
RHS 301 plus fan	0.25 K/W	> 0 W
Consult your distribution	> 0.25 K/W	N/A
Infinite heatsink - No solution	---	N/A

Insulation

Rated insulation voltage Input to output	≥ 4000 VACrms
Rated insulation voltage Output to case	≥ 4000 VACrms

Fast-on terminals



- Fast-on tabs
- Type R..F.
- Screw mounted fast-on terminals
- Flat (0°) and angled (45°) orientation
- Input tab width: 4.8mm
- Output tab width: 6.3mm
- Tab dimensions according to DIN 46342 part 1
- Pure tin-plated brass

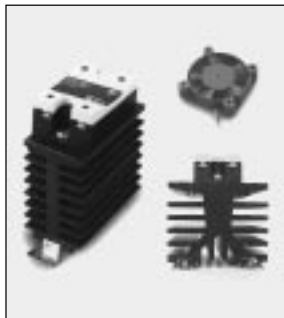
Ordering Key

RM1A48D50 F 4*

RS, RM Solid State Relay
Fast-on terminals
Tab orientation

- * 0: Flat (0°)
- 4: Angled (45°)

Other Accessories



- Heatsinks and fans
- Type RHS...
- 0.25 to 5.00 k/W
- Single and dual relay types



- Touch safety cover
- Type RMIP20
- IP20 protection degree
- Pack size: 20 pieces

All accessories can be ordered pre-assembled with Solid State Relays.
Other accessories include DIN rail adaptors, fuses, varistors and spacers.
For further information refer to Accessories datasheets.